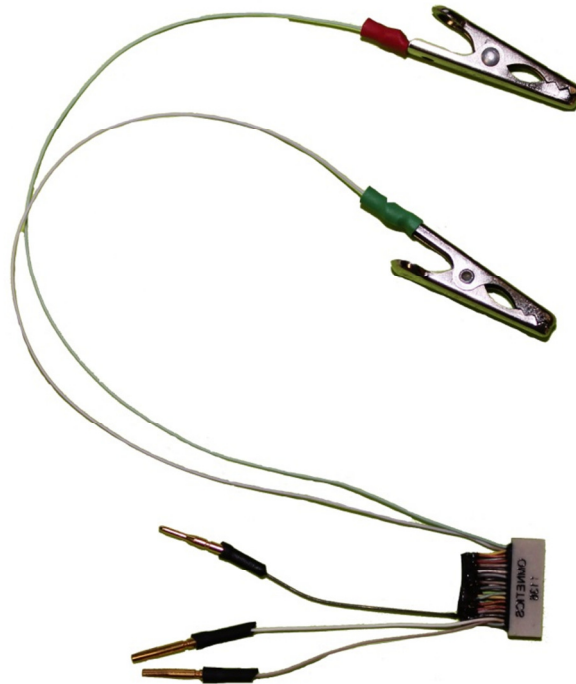


Blackrock 16/32-Ch FHC to 16/32-Ch Omnetics Adapters

PN-8769/8768



Blackrock Microsystems, LLC

630 Komas Drive • Suite 200
Salt Lake City • UT 84108

T: +1 (801) 582-5533

www.blackrockmicro.com

support@blackrockmicro.com

1 System Overview

The FHC to Omnetics Adapters provides an interface between FHC Microelectrode Arrays and a Blackrock's Omnetics Headstages. The Omnetics Headstages provide recording of distortion-free spikes and local field potentials from high impedance microelectrodes. The headstage provides an isolated low-impedance output that guarantees signal integrity, minimizes noise pickup by cables and ensures maximum common-mode noise rejection by the Cerebus system front-end amplifier. Figure 1 below shows an application overview of how the FHC to Omnetics Adapters fit into a complete Neural Recording System.

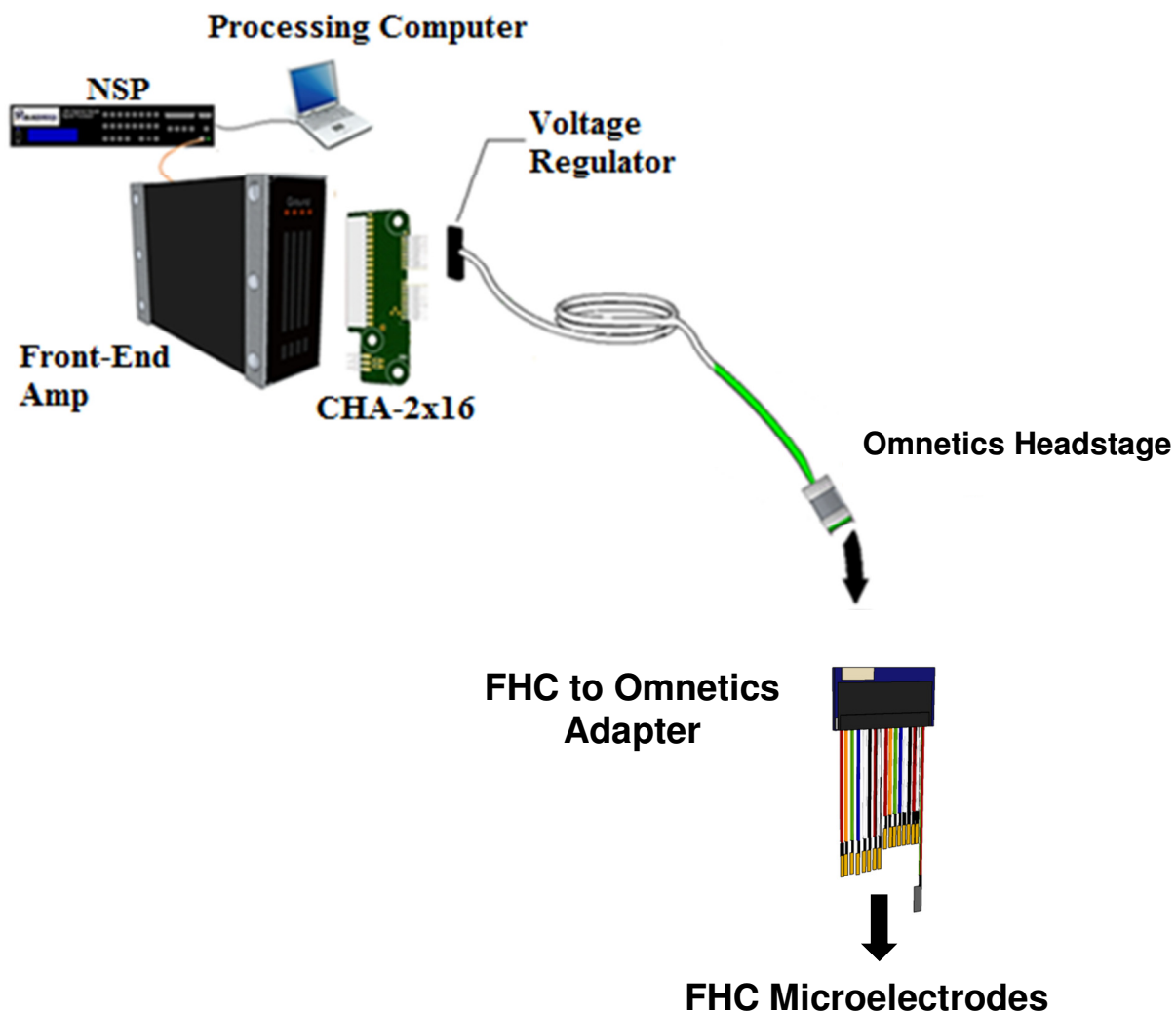


Figure 1: FHC to Omnetics Adapter System Overview

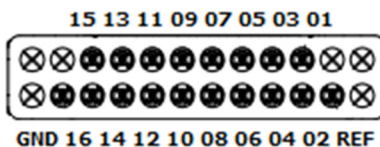
****NOTE:** The Omnetics Headstage, Neural Signal Processing System, and FHC Microelectrodes are not included with the FHC to Omnetics Adapters and must be purchased separately.

Electrophysiology, Simplified.

2 Hardware

2.1 Blackrock 16-Ch FHC Adapter Pin-Out PN-8769

Alligator Clips			
Color Code	Connection	Color Code	Connection
Red	Reference (REF)	Green	Ground (GND)



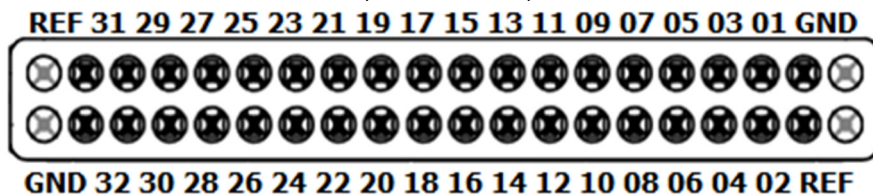
Female Pins (Electrodes)			
Wire Color	Connection	Wire Color	Connection
Black	01	Yellow	09
Brown	02	Green	10
Brown	03	Green	11
Red	04	Blue	12
Red	05	Blue	13
Orange	06	Violet	14
Orange	07	Violet	15
Yellow	08	Gray	16

Electrophysiology, Simplified.

2.2 Blackrock 32-Ch FHC Adapter Pin-Out PN-8768

Alligator Clips			
Color Code	Connection	Color Code	Connection
Green	GND	Red	Reference

(DATE CODE)



Female Pins (Electrodes)			
Wire Color	Connection	Wire Color	Connection
White	01	Violet	17
Brown	02	White	18
Black	03	Gray	19
Red	04	Black	20
Brown	05	White	21
Orange	06	Brown	22
Red	07	Black	23
Yellow	08	Red	24
Orange	09	Brown	25
Green	10	Orange	26
Yellow	11	Red	27
Blue	12	Yellow	28
Green	13	Orange	29
Violet	14	Green	30
Blue	15	Yellow	31
Gray	16	Blue	32

2.3 FHC adapter overview

*Image below is representation only and does not reflect actual product.

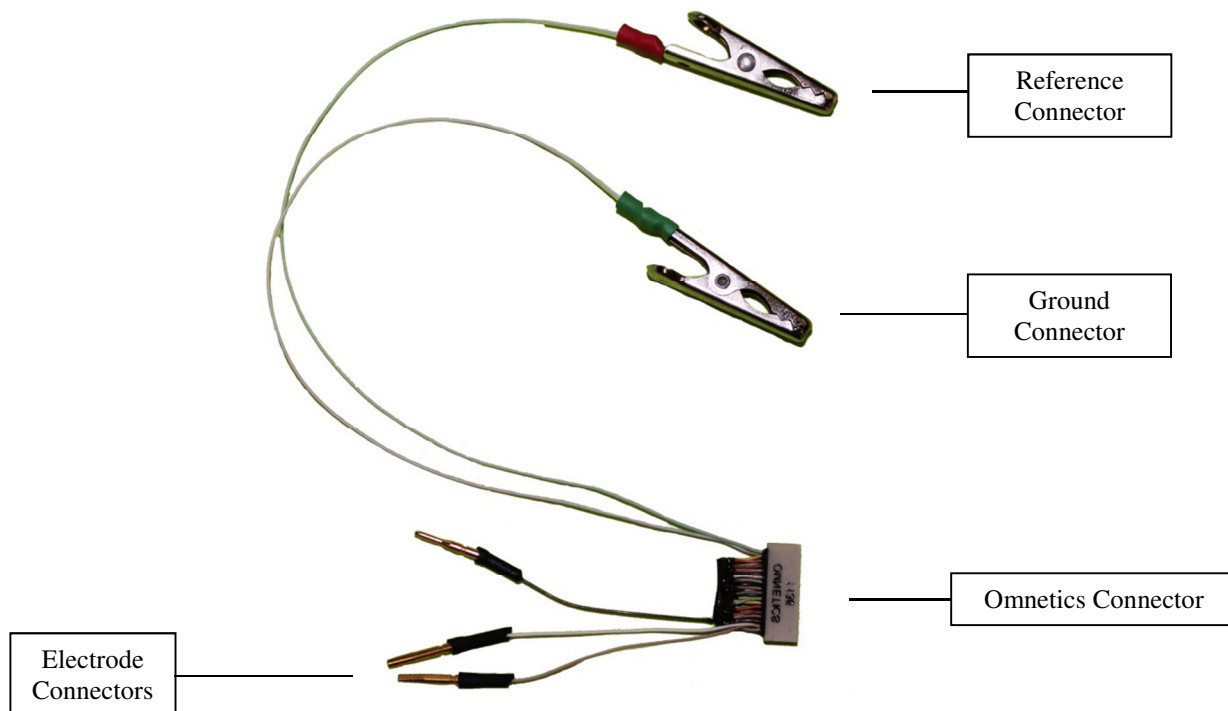


Figure 2: Omnetics Adapter Electrode and GND Connections

3 Assembly

1. Turn off all power to the Neural Signal Processing System before making any connections.
2. Plug the Omnetics Headstage into the Omnetics connector on the adapter. Date codes (Omnetics xxxx) on the Omnetics connectors should be facing the same direction.
3. Connect the pins on the adapter to the FHC electrodes.
4. For further information regarding use of the Omnetics Headstage and Neural Signal Processing System, refer to their individual instructions for use.

Electrophysiology, Simplified.

4 Warranty

Blackrock Microsystems warrants that its products are free from defects in materials and manufacturing for a period of one year from the date of shipment. Blackrock will, at its option, repair or replace any product that does not comply with this warranty. This warranty is voided by:

1. Any modification or attempted modification to the product done by anyone other than an authorized Blackrock employee
2. Any abuse, negligent handling or misapplication of the product.

This constitutes the sole warranty made by Blackrock. There are no other warranties, expressed or implied, which extend beyond those described herein or to anyone other than the original purchaser, including the implied warranties of merchantability and fitness for a particular purpose. In no event shall Blackrock Microsystems, be liable for any incidental or consequential damages, or for the infringement of any patent rights or third party rights due to the use of its products.

4.1 Return Merchandise Authorization (RMA)

In the unlikely event that your adapter needs to be returned to Blackrock for repair or maintenance, do not send any equipment back without a Return Merchandise Authorization Number. An RMA number will be issued to you by a Blackrock representative. If you need to obtain an RMA number, you may contact a product support representative at (801) 582-5533 or toll free at (866) 806-3692.

Once an RMA number has been issued, it is important to safely pack the returned item for shipping back to Blackrock. It is preferred that you save the original boxes and packing materials that your system arrived in for return shipment. Please address the package as follows:

Blackrock Microsystems
ATTN: RMA#
630 Komas Drive, Suite 200
Salt Lake City, UT 84108 USA
Tel: +1 (801) 582-5533