

CHA 2x16

PN 6424



Blackrock Microsystems, LLC

630 Komas Drive • Suite 200
Salt Lake City • UT 84108

T: +1 (801) 582-5533
www.blackrockmicro.com
support@blackrockmicro.com

1 Hardware

The CHA 2x16 provides a connection between Blackrock's 16 channel analog headstage and the Front-End Amplifier of the Cerebus System.

1.1 Blackrock CHA-2x16 Pin-out

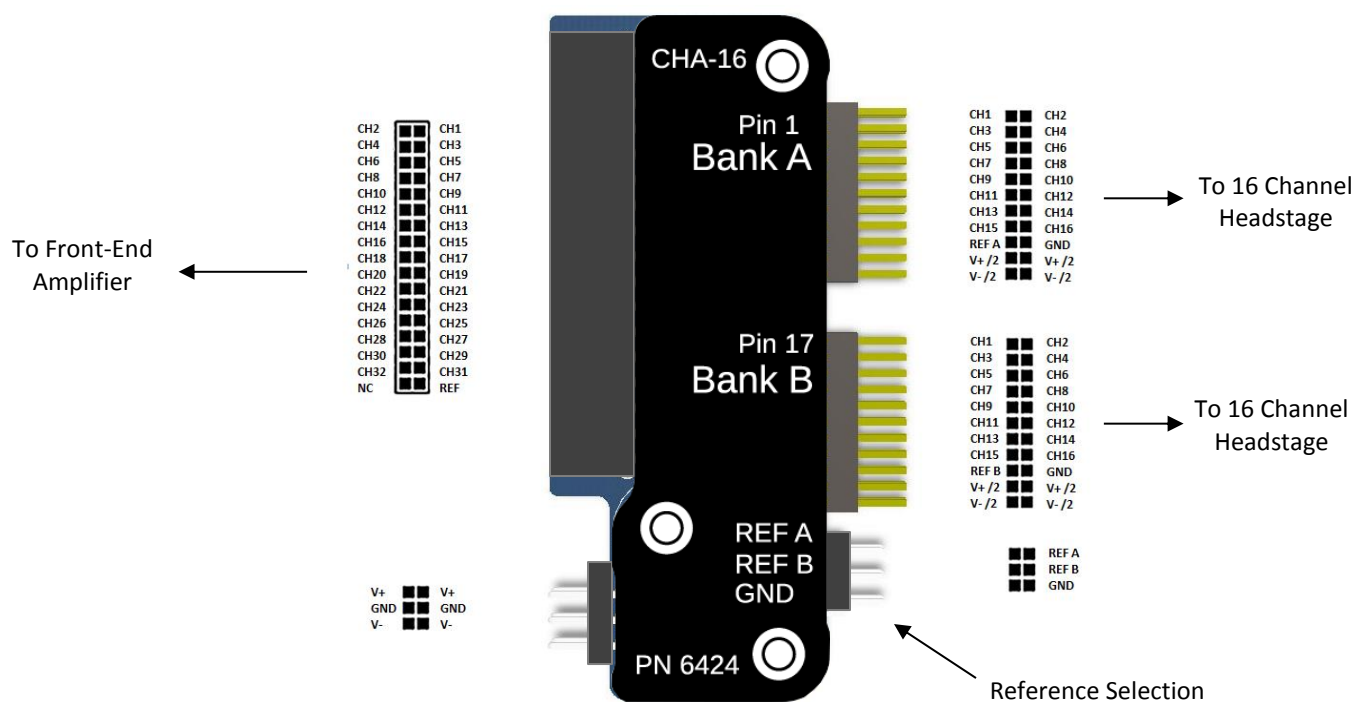


Figure 1: CHA-16 Board Pin-Out
*looking into the connectors

NOTE 1: The jumper on the CHA-2x16 board provides connections between the input reference (on the right) and the system reference (on the left).

NOTE 2: To use the reference from bank A, place a jumper on the reference pins labeled A. To use the reference from Bank B, place a jumper on the reference pins labeled B. To use ground as reference, place a jumper on the reference pins labeled G.

2 Warning

This assembly is intended for use in animal research applications ONLY.

3 Warranty

Blackrock Microsystems, LLC warrants that its products are free from defects in materials and manufacturing for a period of one year from the date of shipment. Blackrock will, at its option, repair or replace any product that does not comply with this warranty. This warranty is voided by:

1. Any modification or attempted modification to the product done by anyone other than an authorized Blackrock employee
2. Any abuse, negligent handling or misapplication of the product.

This constitutes the sole warranty made by Blackrock, LLC. There are no other warranties, expressed or implied, which extend beyond those described herein or to anyone other than the original purchaser, including the implied warranties of merchantability and fitness for a particular purpose. In no event shall Blackrock Microsystems, LLC be liable for any incidental or consequential damages, or for the infringement of any patent rights or third party rights due to the use of its products.

3.1 Return Merchandise Authorization (RMA)

In the unlikely event that your adaptor needs to be returned to Blackrock for repair or maintenance, do not send any equipment back without a Return Merchandise Authorization Number. An RMA number will be issued to you by a Blackrock representative. If you need to obtain an RMA number, you may contact a product support representative at (801) 582-5533 or toll free at (866) 806-3692.

Once an RMA number has been issued, it is important to safely pack the returned item for shipping back to Blackrock. It is preferred that you save the original boxes and packing materials that your system arrived in for return shipment. Please address the package as follows:

Blackrock Microsystems, LLC
ATTN: RMA#
630 Komas Dr., Suite 200
Salt Lake City, UT 84108 USA
Tel: +1(801) 582-5533